



17-19 NOVEMBER 2014



INTER EXPO CENTER (IEC), SOFIA

mobile day
3 CONFERENCES
2 DAYS
1 PLACE

Java in the world of Social Collaboration

Tano Dzhinski
Solutions Architect

BULPROS
BUILD ON OUR EXPERIENCE



17-19 NOVEMBER 2014



INTER EXPO CENTER (IEC), SOFIA

mobile day
3 CONFERENCES
2 DAYS
1 PLACE

Enterprise Social Software

- ❖ Social collaboration capabilities
- ❖ Content governance features
- ❖ Content and document management
- ❖ Desktop application support

IBM Connections



Profiles



Blogs



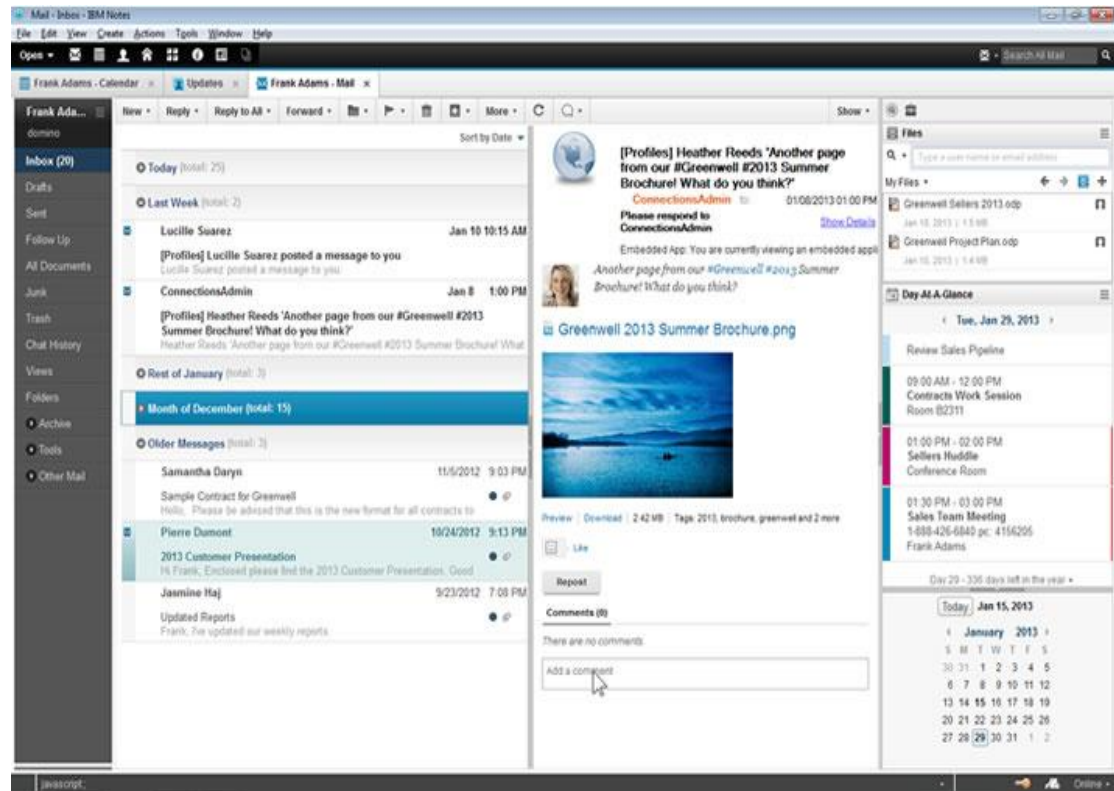
Activities



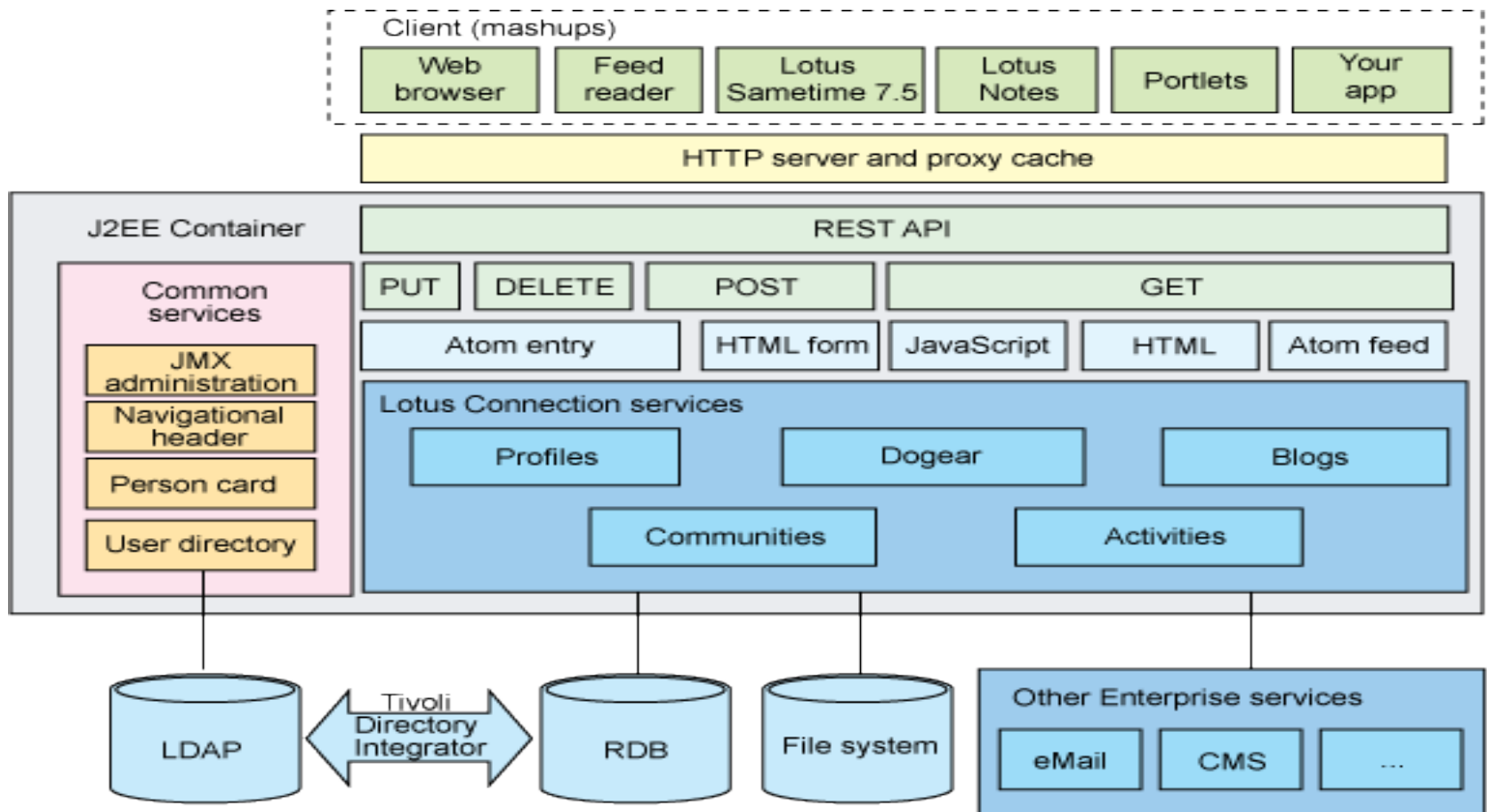
Communities



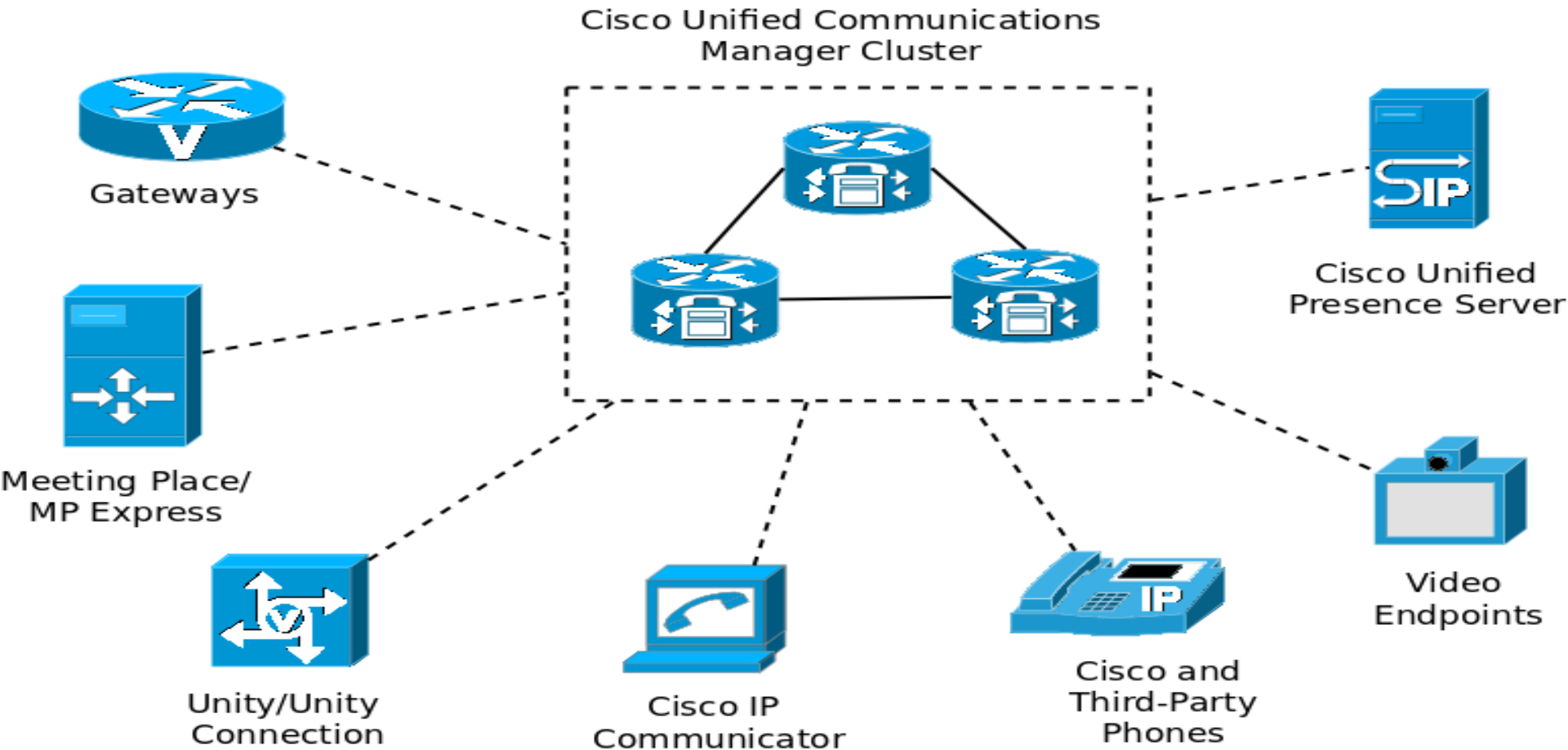
Forums



IBM Connections architecture



Cisco Unified Communications



Cisco Jabber SDK

Your UC enabled web application

Voice & Video
(AJAX)

CAXL
(AJAX)

CUMI
(REST)

WebEx
(URL/XML)



Audio



Video



IM/Chat



Presence



Location

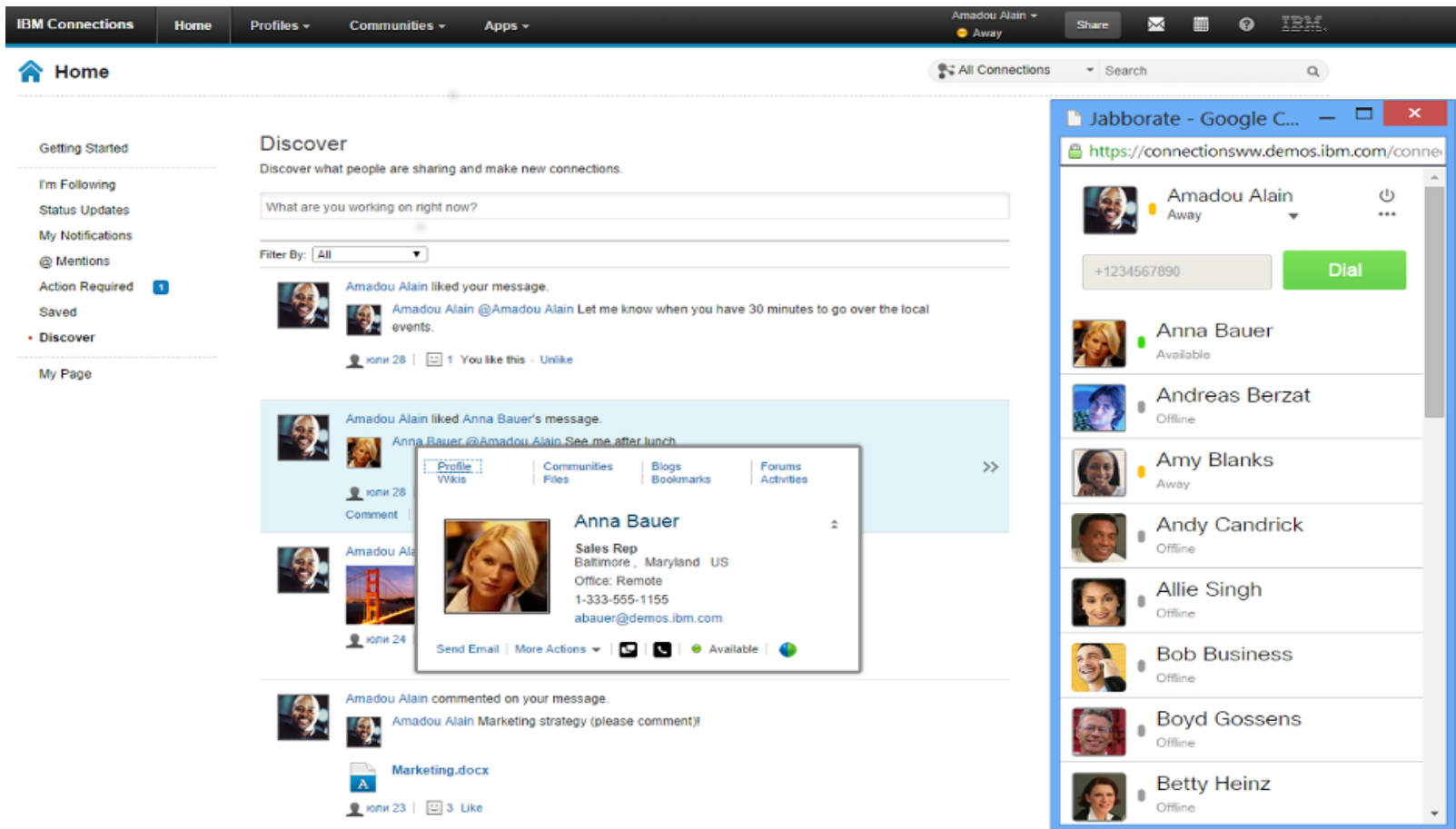


Voice mail



Meeting

Jabborate for IBM Connections



The screenshot displays the IBM Connections user interface. At the top, navigation tabs include 'IBM Connections', 'Home', 'Profiles', 'Communities', and 'Apps'. The user 'Amadou Alain' is logged in, with a status of 'Away'. A search bar is visible with the text 'All Connections' and a search icon.

The main content area is titled 'Discover' and contains a search box: 'What are you working on right now?'. Below this is a 'Filter By:' dropdown menu set to 'All'. The feed shows several activity items:

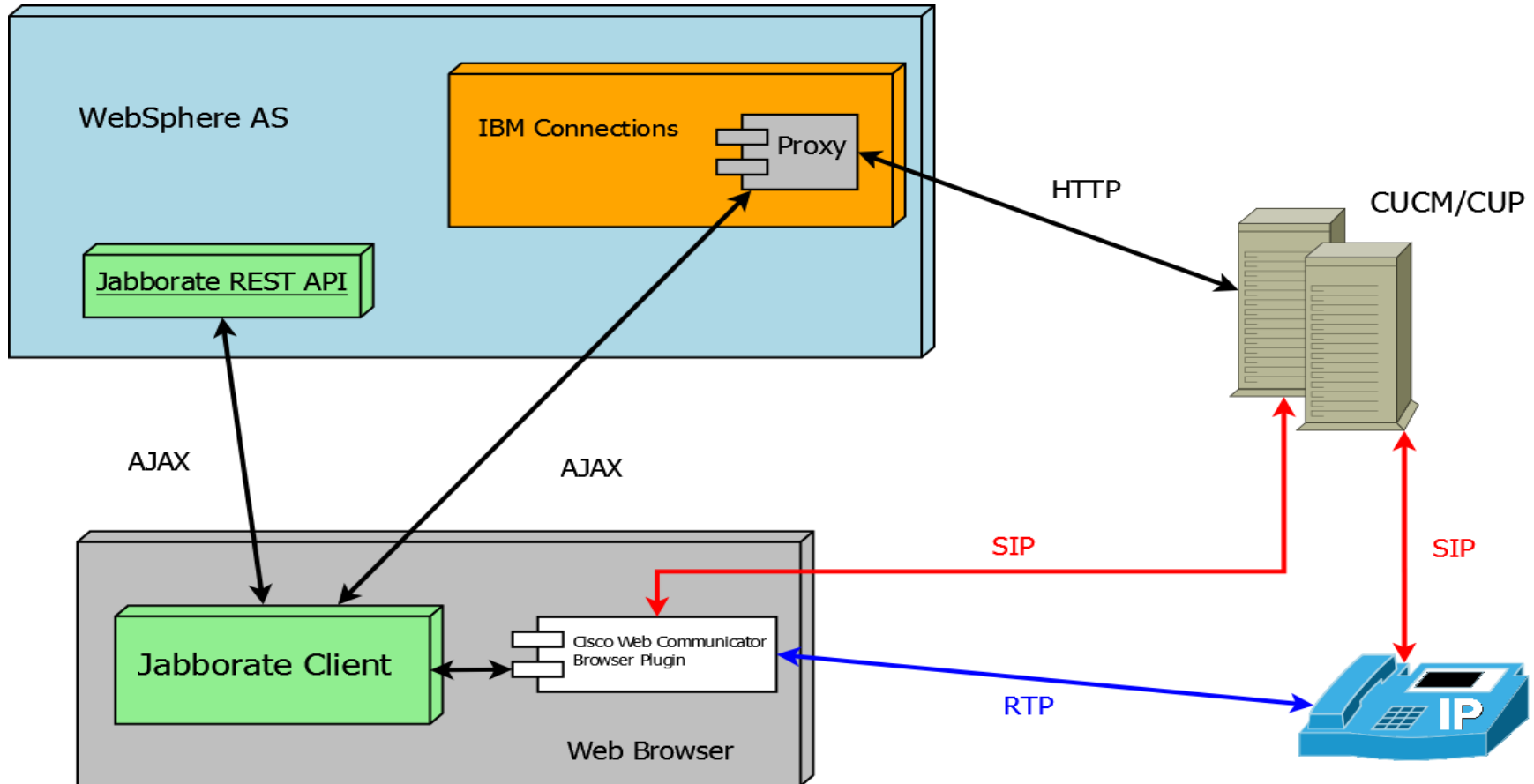
- Amadou Alain liked your message.
- Amadou Alain @Amadou Alain Let me know when you have 30 minutes to go over the local events. (1 Like)
- Amadou Alain liked Anna Bauer's message.
- Anna Bauer @Amadou Alain See me after lunch. (1 Comment)
- Amadou Alain commented on your message.
- Amadou Alain Marketing strategy (please comment)! (3 Likes)

A profile card for Anna Bauer is overlaid on the feed, showing her name, title 'Sales Rep', location 'Baltimore, Maryland US', office 'Remote', phone number '1-333-555-1155', and email 'abauer@demoss.ibm.com'. It also includes a 'Send Email' button and social media icons.

On the right side, a 'Jabborate - Google C...' window is open, displaying a list of contacts with their status:

- Amadou Alain (Away) - Dial (+1234567890)
- Anna Bauer (Available)
- Andreas Berzat (Offline)
- Amy Blanks (Away)
- Andy Candrick (Offline)
- Allie Singh (Offline)
- Bob Business (Offline)
- Boyd Gossens (Offline)
- Betty Heinz (Offline)

Jaborate Architecture





3 CONFERENCES
2 DAYS
1 PLACE

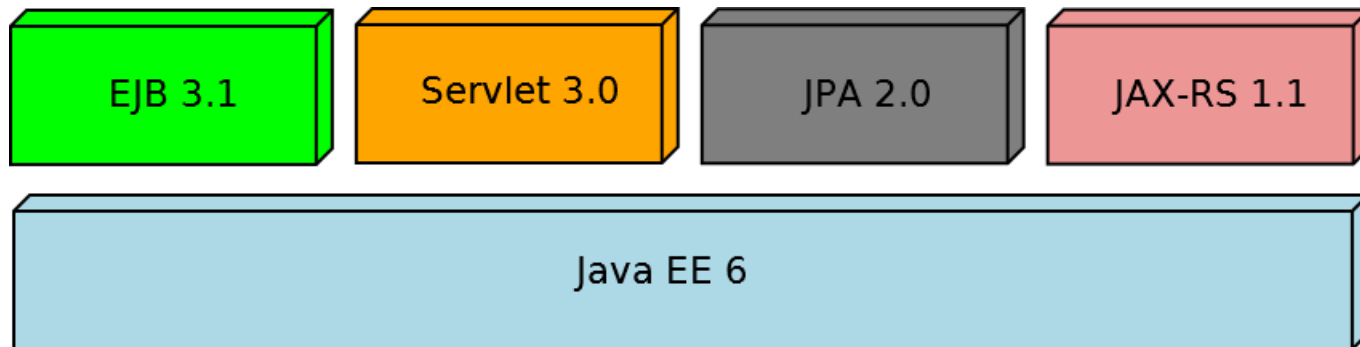
17-19 NOVEMBER 2014

INTER EXPO CENTER (IEC), SOFIA

Jabborate REST API

- ❖ Store global configuration information
- ❖ Store user preferences
- ❖ Administration

WebSphere V8 Runtime



Mapping JAX-RS Servlet

```

8  <servlet>
9      <servlet-name>JAX-RS Servlet</servlet-name>
10     <servlet-class>
11         com.ibm.websphere.jaxrs.server.IBMRestServlet</servlet-class>
12     <init-param>
13         <param-name>javax.ws.rs.Application</param-name>
14         <param-value>com.bulpros.jaborate.JaborateApp</param-value>
15     </init-param>
16     <load-on-startup>1</load-on-startup>
17 </servlet>
18
19 <servlet-mapping>
20     <servlet-name>JAX-RS Servlet</servlet-name>
21     <url-pattern>/api/*</url-pattern>
22 </servlet-mapping>
    
```

REST API

```

22 @Stateless
23 @Path("/profile")
24 public class Profile {
25
26     @Context
27     private SecurityContext securityContext;
28
29     @EJB
30     private ProfileBeanLocal profileBean;
31
32     @GET
33     @Produces(MediaType.APPLICATION_JSON)
34     public Response getProfileSettings() {
35
36         String profileUid =
37             securityContext.getUserPrincipal().getName();
38
39         ProfileSetting profileSettings =
40             profileBean.getProfileSettings(profileUid);
41
42         return Response.ok(profileSettings,
43             MediaType.APPLICATION_JSON).build();
44     }

```


Profile Bean

```

18 @Stateless
19 public class ProfileBean implements ProfileBeanLocal {
20
21     @PersistenceContext(unitName = "com.jabborate.webapi")
22     private EntityManager entityManager;
23
24     @Override
25     public ProfileSetting getProfileSettings(String profileUid) {
26         ProfileSetting profileSetting = entityManager.find(
27             ProfileSetting.class, profileUid);
28         return profileSetting;
29     }
30
31     @Override
32     public void addOrUpdateProfileSettings(ProfileSetting profileSettings) {
33         entityManager.merge(profileSettings);
34     }

```

Security Constraints

```

46<  <security-constraint>
47<  <web-resource-collection>
48      <web-resource-name>Jabborate REST API</web-resource-name>
49      <url-pattern>/api/*</url-pattern>
50      <http-method>GET</http-method>
51  </web-resource-collection>
52<  <auth-constraint>
53      <role-name>JABBORATE_API</role-name>
54  </auth-constraint>
55<  <user-data-constraint>
56      <transport-guarantee>CONFIDENTIAL</transport-guarantee>
57  </user-data-constraint>
58 </security-constraint>
59
60<  <security-role>
61      <role-name>JABBORATE_API</role-name>
62 </security-role>
    
```



17-19 NOVEMBER 2014



INTER EXPO CENTER (IEC), SOFIA

mobile day
3 CONFERENCES
2 DAYS
1 PLACE

Deployment and Configuration

- ❖ Deploying REST API on WAS
- ❖ WAS security configuration
- ❖ IBM LTPA token

WAS Topology

Configuration

Local Topology

- [-] [connectionswwCell01](#)
 - [-] [Nodes](#)
 - [-] [connectionswwCellManager01 \(ND 8.0.0.5\)](#)
 - [-] [Servers](#)
 - [dmgr](#)
 - [-] [connectionswwNode01 \(ND 8.0.0.5\)](#)
 - [-] [Servers](#)
 - [nodeagent](#)
 - [ic45_cluster_server1](#)
 - [clusterMember01](#)
 - [clusterMember02](#)
 - [webserver1](#)
 - [server1](#)
 - [-] [connectionswwNode02 \(ND 8.0.0.5\)](#)
 - [-] [Applications](#)
 - [-] [Business-level applications](#)
 - [Assets](#)
 - [-] [Clusters](#)
 - [-] [Node groups](#)
 - [-] [Core Groups](#)
 - [ConnectionsBus](#)

Application security

Global security

Global security

Use this panel to configure administration and the default application security policy. This security configuration administrative functions and is used as a default security policy for user applications. Security domains can be security policies for user applications.

Security Configuration Wizard

Security Configuration Report

Administrative security

- Enable administrative security
 - [Administrative user roles](#)
 - [Administrative group roles](#)
 - [Administrative authentication](#)

Application security

- Enable application security

Authentication

Authentication mechanisms and expiration

- [LTPA](#)
- Kerberos and LTPA
 - [Kerberos configuration](#)
- SWAM (deprecated): No authentication
 - [Authentication cache settings](#)

Web and FTP security

Security roles

Detail Properties

- [Target specific application status](#)
- [Startup behavior](#)
- [Application binaries](#)
- [Class loading and update detection](#)
- [Request dispatcher properties](#)
- [Security role to user/group mapping](#)
- [JASPI provider](#)
- [Custom properties](#)
- [View Deployment Descriptor](#)

Web Module Properties

- [Session management](#)
- [Context Root For Web Modules](#)
- [JSP and JSF options](#)
- [Virtual hosts](#)

Enterprise Java Bean Properties

- [Default messaging provider references](#)

Client Module Properties

- [Client module deployment mode](#)

Role Mapping

Map Users...		Map Groups...		Map Special Subjects ▾	
<input checked="" type="checkbox"/> <input type="checkbox"/>		<div style="border: 1px solid black; padding: 2px;"> None All Authenticated in Application's Realm Everyone </div>			
Select	Role	Special subject	Mapped users	Mapped groups	
<input type="checkbox"/>	JABBORATE_API	All Authenticated in Application's Realm			



3 CONFERENCES
2 DAYS
1 PLACE

17-19 NOVEMBER 2014

INTER EXPO CENTER (IEC), SOFIA

Q&A

BULPROS
BUILD ON OUR EXPERIENCE